

Parallel Surge Protective Device (SPD)

LS-PS277-50

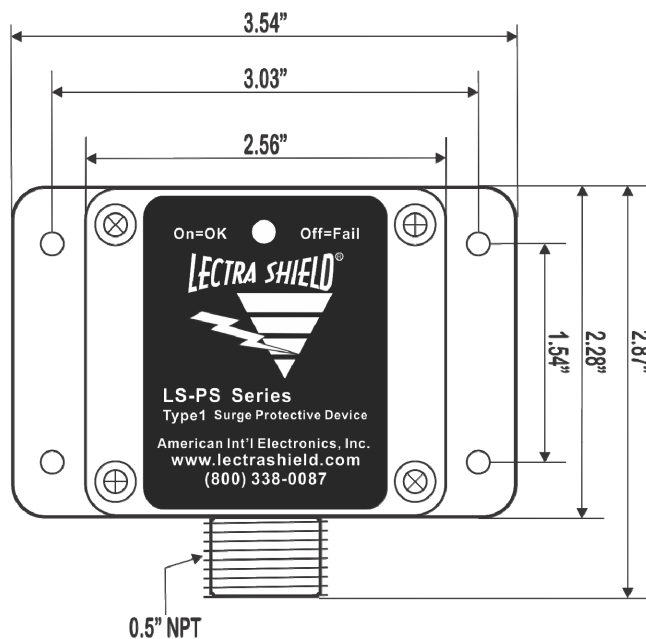
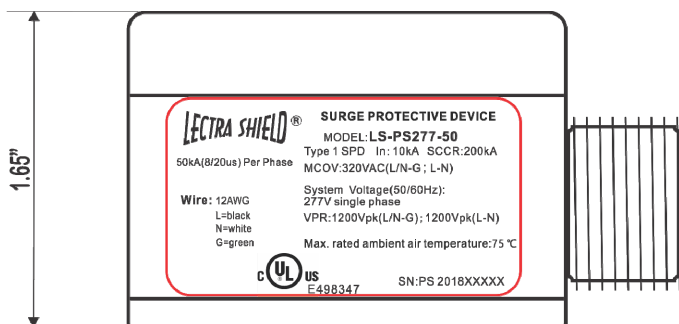


- The LS-PS series of SPD's are compact devices designed to protect single phase and electrical distribution systems against the harmful effects of transient surges. They are constructed with thermally protected MOV's that have a significant advantage in abnormal overvoltage & high fault current situations, thus ensuring the industry's highest level of safety and performance.

- The LS-PS277-50 is a commercial strength, thermally protected, parallel design, single phase 277 volt surge protector with a high bright blue status indicator light

(LED). This product is designed to automatically reset after dissipating a surge within ratings. In the event this unit should self-sacrifice the LED will go out at which point it needs to be replaced.

Dimensions and Diagram



LS-PS Series Typical Applications

- Security & Alarm Equipment
- HVAC Systems
- Outdoor/Indoor LED Lighting
- Telecommunication Equipment
- Other Critical Electronic Equipment

Features

- ▼ Hardwire Branch Circuit Protector
- ▼ Type 1 Surge Protective Device
- ▼ 277 Volts AC
- ▼ Parallel Connected, Non-Load Bearing
- ▼ High Bright LED Status Indicator
- ▼ Operating Temp.: -40°C ~ +75°C
- ▼ 3 Wires, 12 AWG (L=black, N=white, G=green)
- ▼ Protection Modes: L-N, L-G, N-G
- ▼ Surge Current (8x20μs): 50kA per Phase
- ▼ Response Time: <5 ns
- ▼ Plastic Enclosure, NEMA 4X
- ▼ Weight: ~6.35 oz
- ▼ ANSI/UL Std. 1449 4th Ed
- ▼ CSA C22.2



Characteristics

Part Number	Operating Voltage	Frequency	I _n	SCCR	VPR				MCOV			
					(L-N)	(L-G)	(N-G)	(L-L)	(L-N)	(L-G)	(N-G)	(L-L)
LS-PS277-50	277 V	50-60 Hz	10 kA	200 kA	1200	1200	1200	NA	320 V	320 V	0 V	0 V